

Freedom ADA Transfer Shower



Shower stall comes standard in white
30 Year Manufacturer's Limited Warranty
Shown with optional ADA compliant accessories
Available with Optional Return Receiver Flange (not shown)

Model APF3838BF4P.5
38.625" x 38.438" x 79"

Interior Dimension: 36" x 36"

4-piece for remodeling

0.5" Barrier free threshold
with pre-leveled and
reinforced shower base for
easy installation

Durable, luxurious and
easy to clean gelcoat
fiberglass with architectural
subway tile pattern

Full wood backing in walls
and metal bracing offers
strength and easy installation
of accessories

Accessories available:
Grab bars, folding shower
seat, collapsible water
retainer, weighted shower
curtain and rod, slide bar
with handheld shower,
pressure balance valve,
caulkless drain, surface
mount stainless soap dish



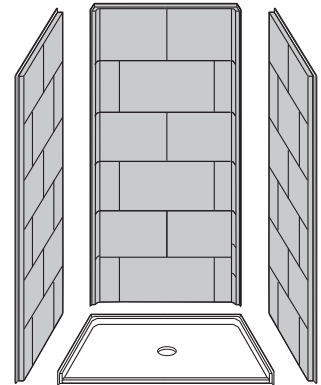
MODEL: APF3838BF4P.5

Freedom ADA Transfer Shower

Submittal Data

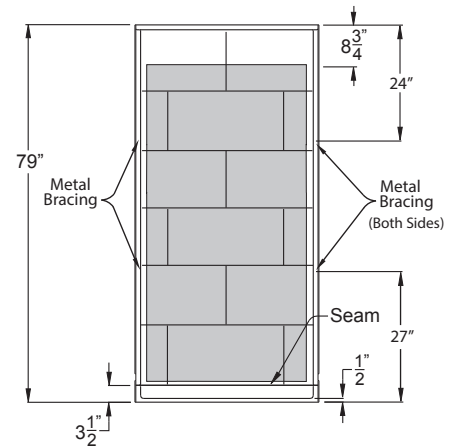
Product Features

- 38.625" x 38.438" x 79"
- Interior Dimension: 36" x 36"
- 4-piece for remodeling
- 0.5" Barrier free threshold with pre-leveled and reinforced shower base for easy installation
- Full fiberglass encapsulated wood backing on walls
- Metal bracing
- Architectural subway tile pattern easy to clean gelcoat finish
- Textured slip-resistant floor
- Center drain location



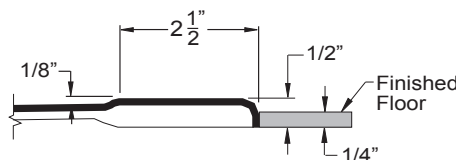
Code Compliance

- ADA, MAS, TAS
- IPC International Plumbing Code
- UPC Uniform Plumbing Code
- ANSI Z124.2 Standards for Plastic Showers
- NAHB
- HUD
- FHA
- CSA

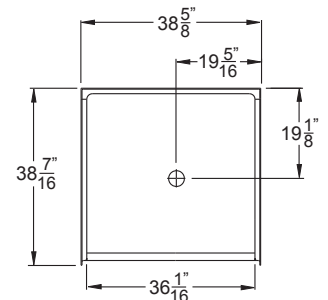


Optional Accessories (Installed at job site)

- Collapsible Water Retainer
- Folding Shower Seat
- Caulkless Drain
- Grab Bars
- Shower Rod and Curtain
- Pressure Balance Valve with hand-held Shower and Slide Bar
- Surface mount stainless soap dish

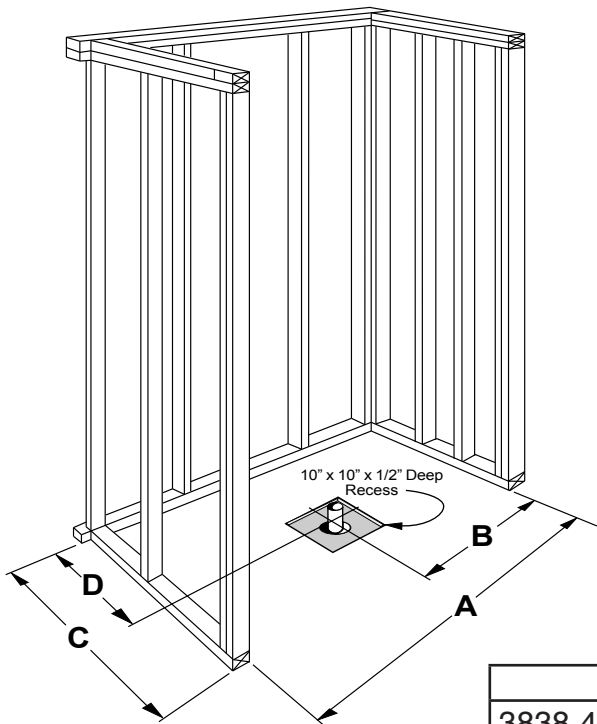
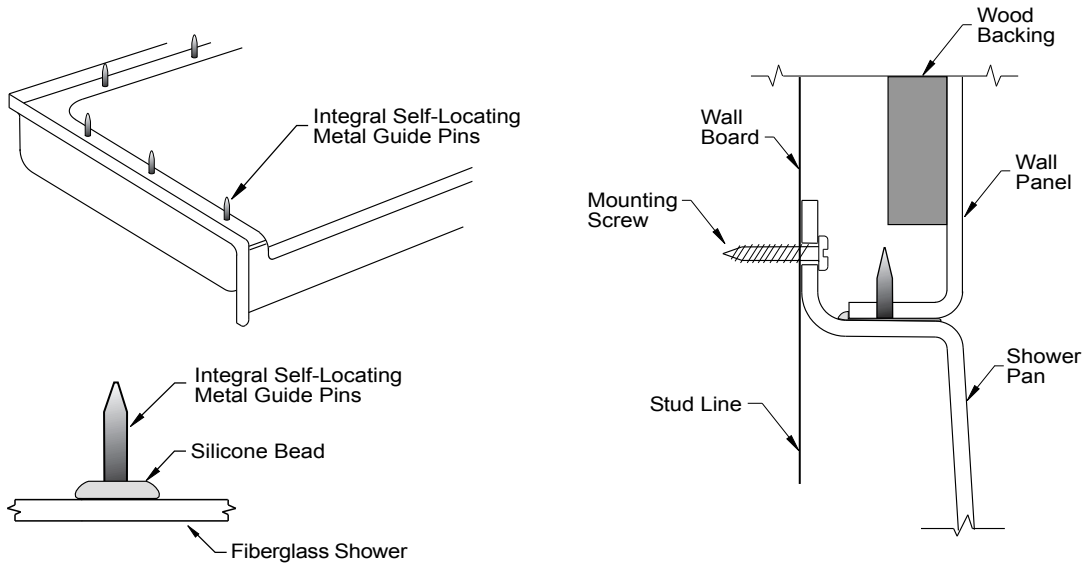


THRESHOLD VIEW



FREEDOM SHOWERS

MODEL: APF38383BF4P.5 Freedom ADA Transfer Shower Submittal Data - Installation



	A	B	C	D
3838 4P	38 7/8"	19 7/16"	38 7/16"	19 1/8"