

**FREEDOM** SHOWERS

## Freedom ADA Transfer Shower 40" x 39.5"



Model APFQ3637BF3P

40 1/4" x 39 1/2" x 77 3/8"  
36" x 36" Inside Dimension

5/8" barrier free threshold  
with pre-leveled and  
reinforced shower base  
for easy installation

Three piece for remodeling

Durable, luxurious and easy  
to clean gelcoat fiberglass

Full wood backing in  
walls offers strength and  
easy installation of  
accessories

Accessories available:  
Grab bars, folding shower  
seat, collapsible water  
retainer, weighted shower  
curtain and rod, slide bar  
with handheld shower,  
pressure balance valve,  
caulkless drain, stainless  
steel soap dish

Shown with optional accessories      Handed by valve, right valve shown

Shower is ADA compliant when installed with  
available ADAAG accessories.

**30 Year Manufacturer's Limited Warranty.**

# FREE OM SHOWERS

## MODEL: APFQ3637BF3P ADA Shower

### Submittal Data

#### Product Features

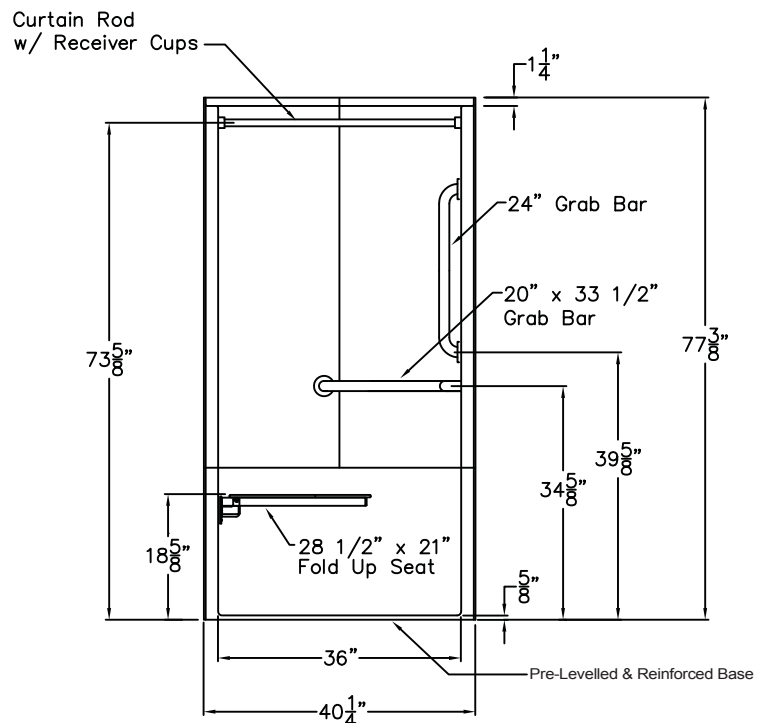
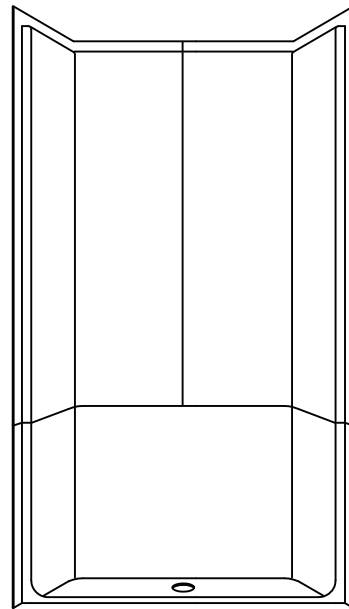
- 40 1/4" x 39 1/2" x 77 3/8"
- 5/8" barrier free threshold
- Self-supporting and pre-leveled shower base eliminates mud setting
- Full fiberglass encapsulated wood backing on walls
- Easy to clean gelcoat finish
- Textured slip-resistant floor

#### Code Compliance

- IPC International Plumbing Code
- UPC Uniform Plumbing Code
- ANSI Z124.2 Standards for Plastic Showers, Complies with CSA Standards
- ADA Accessibility Guidelines for Buildings and Facilities
- ANSI A117.1 Accessible and Useable Buildings and Facilities

#### Optional Accessories

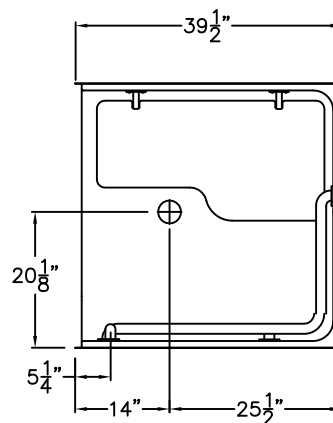
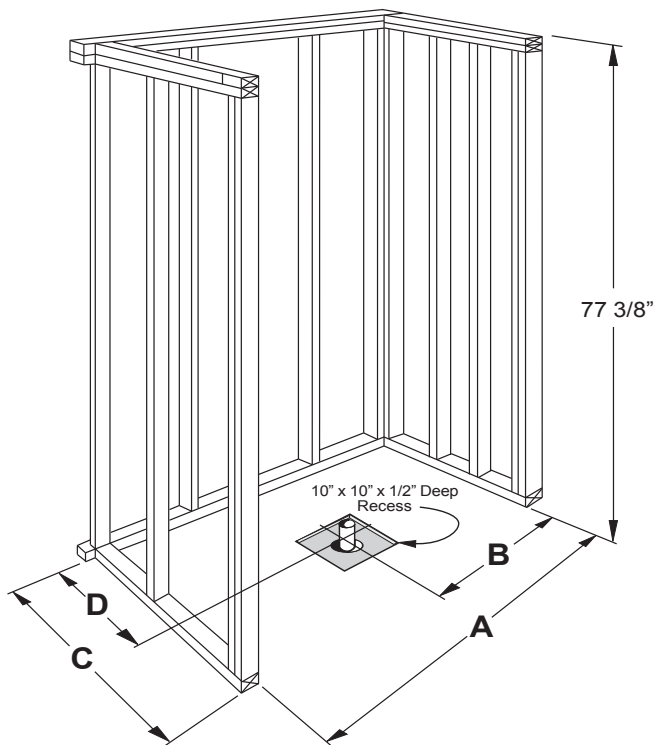
- Collapsible Water Retainer
- Folding Shower Seat
- Caulkless Drain
- Grab Bars
- Shower Rod and Curtain
- Pressure Balance Valve with hand-held Shower and Slide Bar



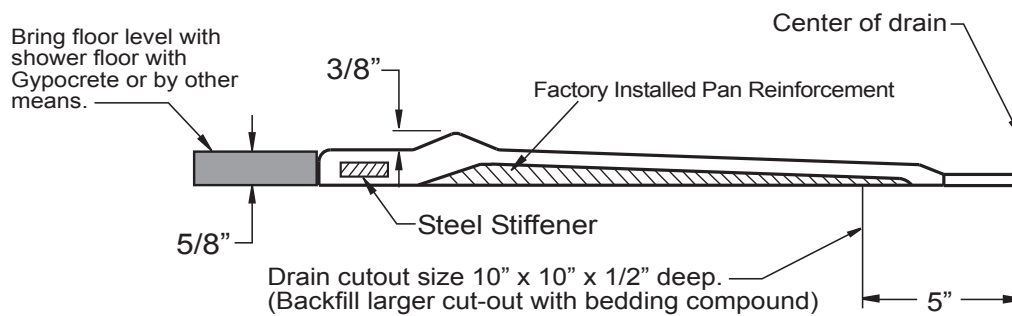
Handed by valve, right valve shown  
With optional ADA accessories

# FREEDOM SHOWERS

## MODEL: APFQ3637BF3P Freedom ADA Shower Submittal Data - Installation



	A	B	C	D
<b>APF3637</b>	40 1/4"	20 1/8"	39 1/2"	25 1/2"



### Detail Of Threshold