



Freedom ADA Transfer Shower 39" x 39 1/2"

Model APFQ3698BF625



39" x 39 1/2" x 77 1/8"
36" x 36" Inside Dimension

5/8" barrier free threshold
with pre-leveled and
reinforced shower base
for easy installation

2 molded soap ledges

One piece for new
construction

Durable, luxurious and easy
to clean gelcoat fiberglass

Full wood backing in
walls offers strength and
easy installation of
accessories

Accessories available:
Grab bars, folding shower
seat, collapsible water
retainer, weighted shower
curtain and rod, slide bar
with handheld shower,
pressure balance valve,
caulkless drain

Shown with optional accessories Handed by valve, right valve shown

Shower is ADA compliant when installed with
available ADAAG accessories.

30 Year Manufacturer's Limited Warranty.

FREE OM SHOWERS

MODEL: APFQ3698BF625 ADA Shower

Submittal Data

Product Features

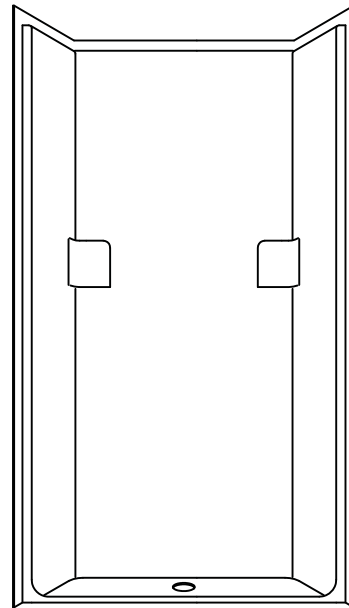
- 39" x 39 1/2" x 77 1/8"
- 5/8" barrier free threshold
- Self-supporting and pre-leveled shower base eliminates mud setting
- Full fiberglass encapsulated wood backing on walls
- Easy to clean gelcoat finish
- Textured slip-resistant floor

Code Compliance

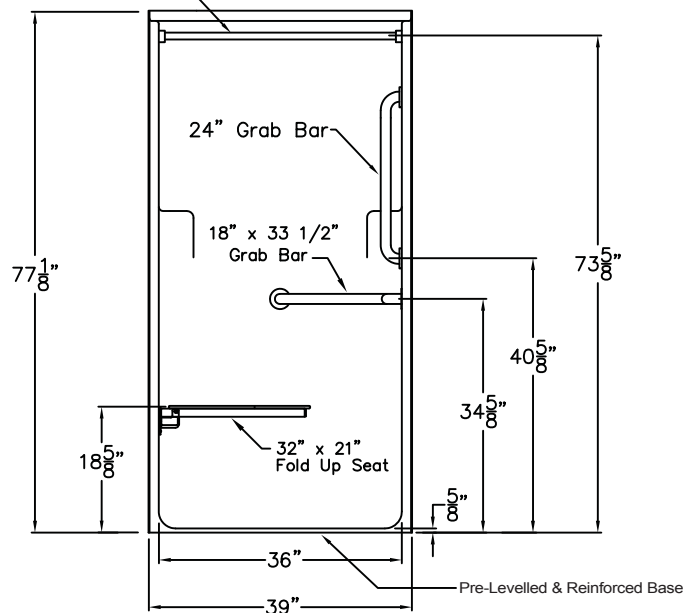
- IPC International Plumbing Code
- UPC Uniform Plumbing Code
- ANSI Z124.2 Standards for Plastic Showers
- ADA Accessibility Guidelines for Buildings and Facilities
- ANSI A117.1 Accessible and Useable Buildings and Facilities

Optional Accessories

- Collapsible Water Retainer
- Folding Shower Seat
- Caulkless Drain
- Grab Bars
- Shower Rod and Curtain
- Pressure Balance Valve with hand-held Shower and Slide Bar



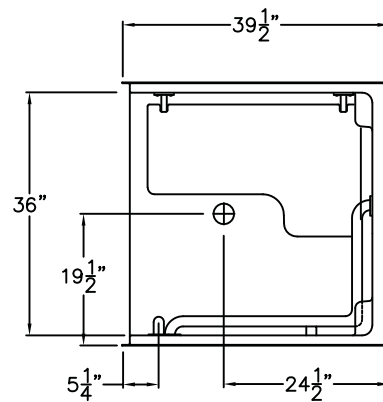
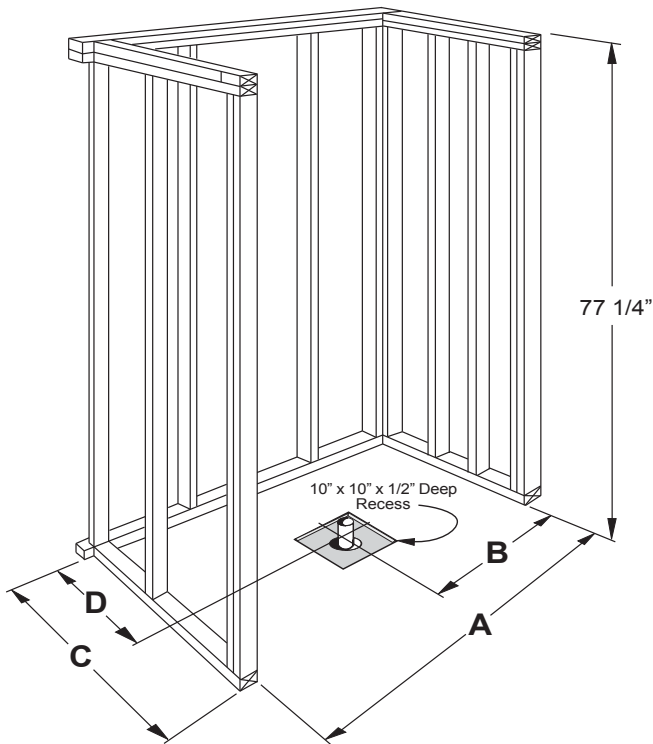
Curtain Rod w/ Receiver Cups



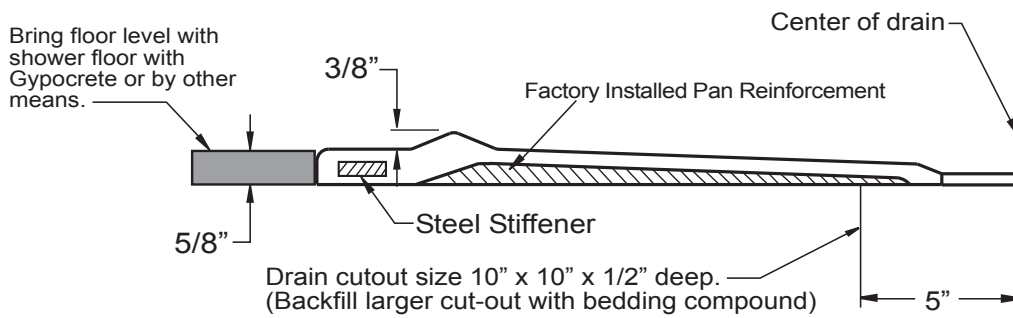
Handed by valve, right valve shown
With optional ADA accessories

FREEDOM SHOWERS

MODEL: APFQ3698BF625 Freedom ADA Shower Submittal Data - Installation



	A	B	C	D
APF3698	39 1/4"	19 1/2"	39 1/2"	24 1/2"



Detail Of Threshold