



Freedom ADA Roll-in Shower 62" x 33"



Model
APFQ6233BF75

62" x 33" x 78.75"

One Piece Shower

3/4" barrier free threshold
with pre-leveled and
reinforced shower base
for easy installation

Textured Floor

Durable, luxurious and
easy to clean gelcoat

Full wood backing in
walls offers strength and
easy installation of
accessories

Accessories available:
Grab bars, folding shower
seat, collapsible water
retainer, weighted shower
curtain and rod, slide bar
with handheld shower,
pressure balance valve,
caulkless drain

Shower is ADA compliant when installed with
available ADAAG accessories.

30 Year Manufacturer's Limited Warranty.

FREEDOM SHOWERS

MODEL: APFQ6233BF75 Freedom Roll-In Shower

Submittal Data

Product Features

- 62" x 33" x 78.75"
- One piece shower
- 3/4" barrier free threshold
- Self-supporting and pre-leveled shower base eliminates mud setting
- Full fiberglass encapsulated wood backing on walls
- smooth wall easy to clean gelcoat finish
- 2 molded soap ledges
- Textured slip-resistant floor
- Center drain location

Code Compliance

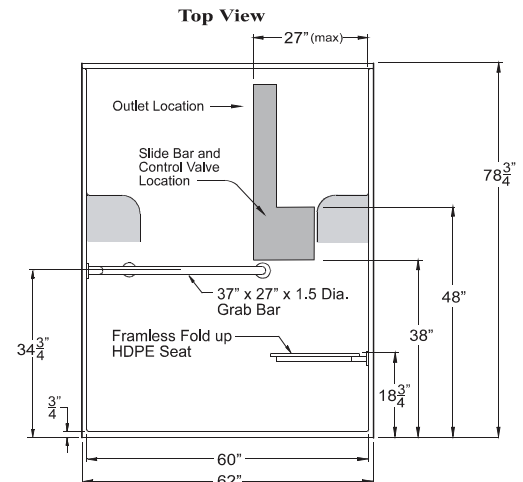
- ADAAG
- ADA
- ANSI/MN

Optional Accessories (Installed at job site)

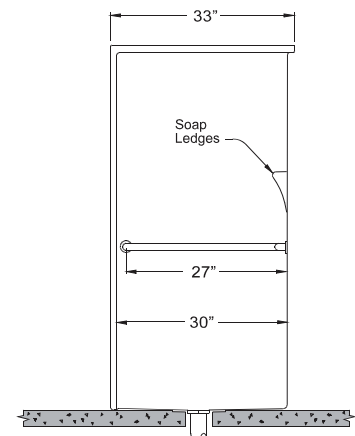
- Collapsible Water Retainer
- Pressure Balance Valve with hand-held Shower and Slide Bar

Lead Time

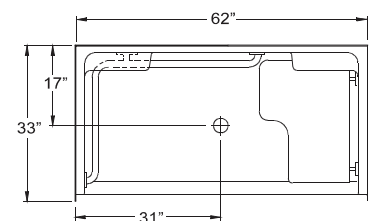
- 4 business days
- If valve is included, lead time is extended by 24 hours



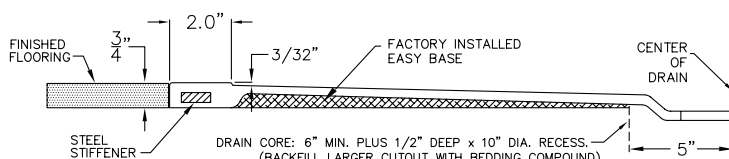
Front View



Side View



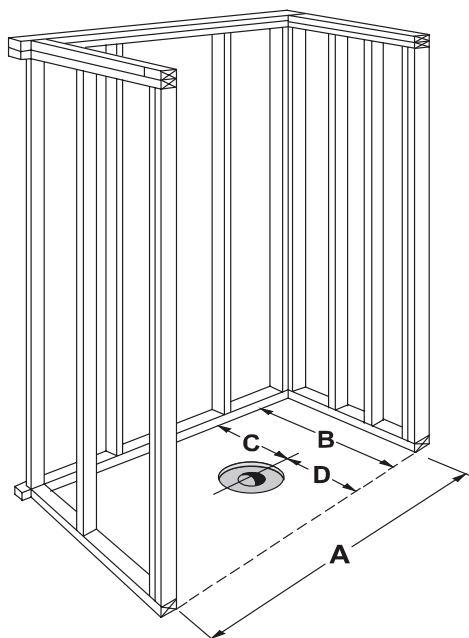
Top View



THRESHOLD VIEW

FREE OM SHOWERS

MODEL: APFQ6233BF75 Freedom Roll-In Shower Submittal Data - Installation



FRAMING DIMENSIONS

A	B	C	D
62 $\frac{1}{4}$ "	33"	17"	16"

10" Diameter x 1/2" Deep
Recess Around Drain Core

DETAIL OF DRAIN CORE AREA

4" To 6" Diameter Drain Core
Through Slab.

10" Diameter x 1/2" Deep
Recess Around Core

