



Freedom ADA Roll In Shower 63" x 34"

Model APFQ6333BF75

63" x 34" x 78 3/4"
60" x 30" Inside Dimension

3/4" barrier free threshold
with pre-leveled and
reinforced shower base
for easy installation

One piece for new
construction

3 molded soap ledges

Durable, luxurious and easy
to clean gelcoat fiberglass
with tile pattern

Full wood backing in
walls offers strength and
easy installation of
accessories

Accessories available:
Grab bars, folding shower
seat, collapsible water
retainer, weighted shower
curtain and rod, slide bar
with handheld shower,
pressure balance valve,
caulkless drain



Shown with optional accessories Handed by seat, left seat shown

Shower is ADA compliant when installed with
available ADAAG accessories.

30 Year Manufacturer's Limited Warranty.

In Texas and North Carolina, order Model APFQ6334BF75

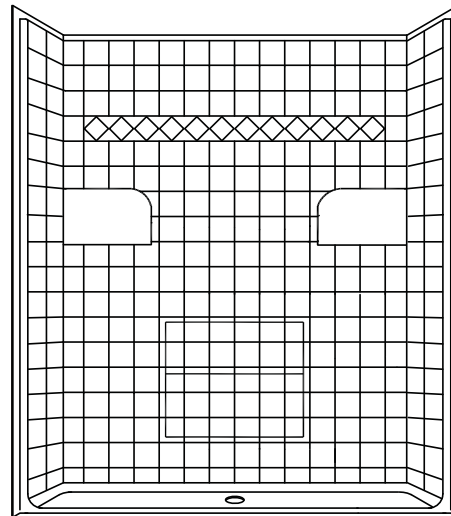
FREE OM SHOWERS

MODEL: APFQ6333BF75 ADA Shower

Submittal Data

Product Features

- 63" x 34" x 78.75"
- 3/4" barrier free threshold
- Self-supporting and pre-leveled shower base eliminates mud setting
- Full fiberglass encapsulated wood backing on walls
- Tile pattern easy to clean gelcoat finish
- 3 molded soap ledges
- Textured slip-resistant floor
- Center drain location

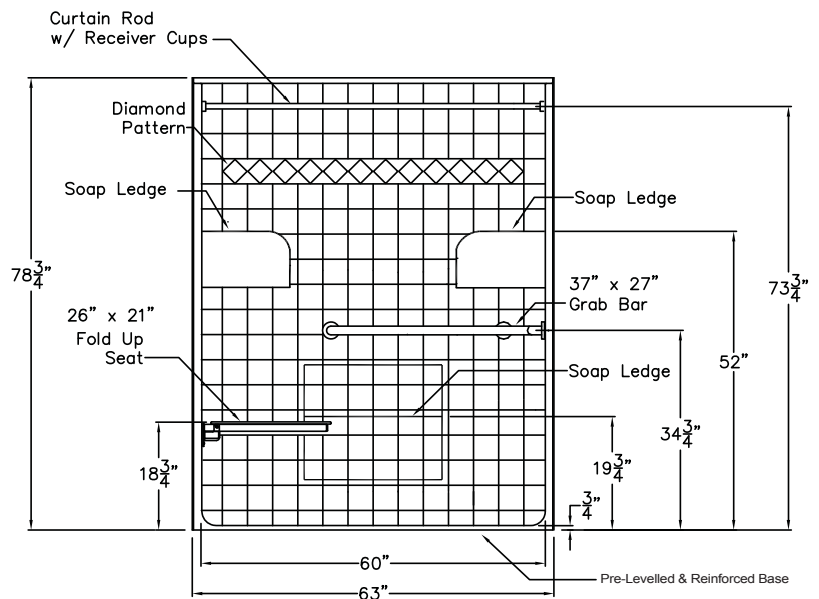


Code Compliance

- IPC International Plumbing Code
- UPC Uniform Plumbing Code
- ANSI Z124.2 Standards for Plastic Showers
- ADA Accessibility Guidelines for Buildings and Facilities
- ANSI A117.1 Accessible and Useable Buildings and Facilities
- Not TAS compliant, in Texas and North Carolina order APF6334BF75

Optional Accessories

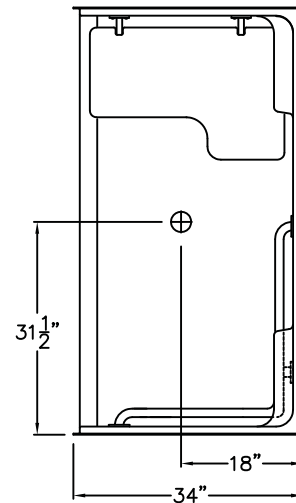
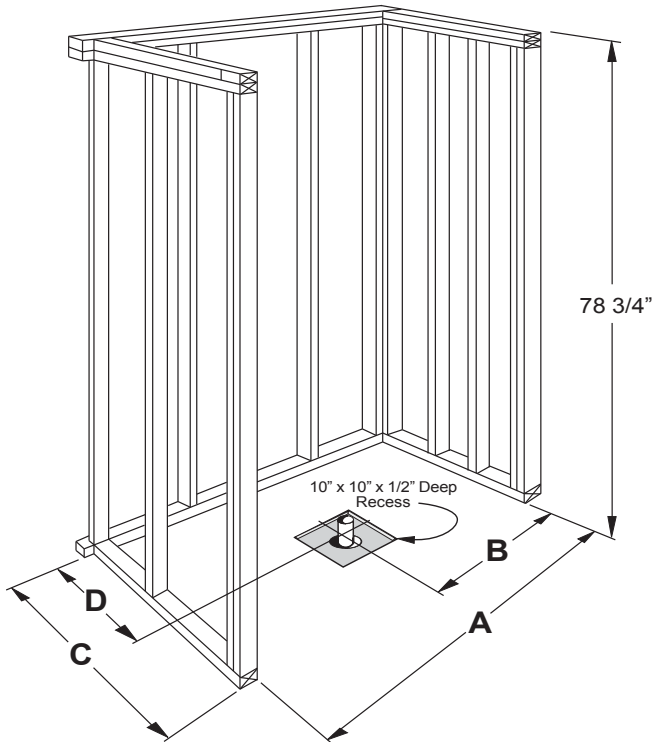
- Collapsible Water Retainer
- Folding Shower Seat
- Caulkless Drain
- Grab Bars
- Shower Rod and Curtain
- Pressure Balance Valve with hand-held Shower and Slide Bar



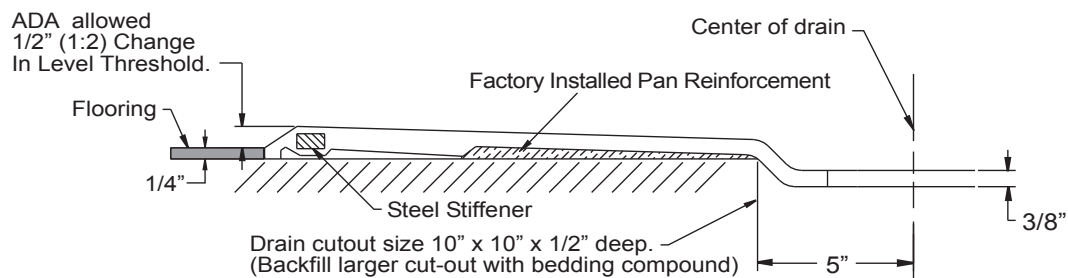
Handed by seat, left seat shown
With optional ADA accessories

FREEDOM SHOWERS

MODEL: APFQ6333BF75 Freedom ADA Shower Submittal Data - Installation



	A	B	C	D
APF6333	63 1/4"	31 1/2"	34"	18"



Detail Of Threshold