



## Freedom ADA Roll In Shower 63" x 34"

Model APFQ6334BF75

63" x 34" x 78 3/4"  
60" x 30" Inside Dimension

3/4" barrier free threshold  
with pre-leveled and  
reinforced shower base  
for easy installation

One piece for new  
construction

3 molded soap ledges

Durable, luxurious and easy  
to clean gelcoat fiberglass  
with tile pattern

Full wood backing in  
walls offers strength and  
easy installation of  
accessories

Accessories available:  
Grab bars, folding shower  
seat, collapsible water  
retainer, weighted shower  
curtain and rod, slide bar  
with handheld shower,  
pressure balance valve,  
caulkless drain



Shown with optional accessories    Handed by seat, right seat shown

Shower is ADA compliant when installed with  
available ADAAG accessories.

**30 Year Manufacturer's Limited Warranty.**

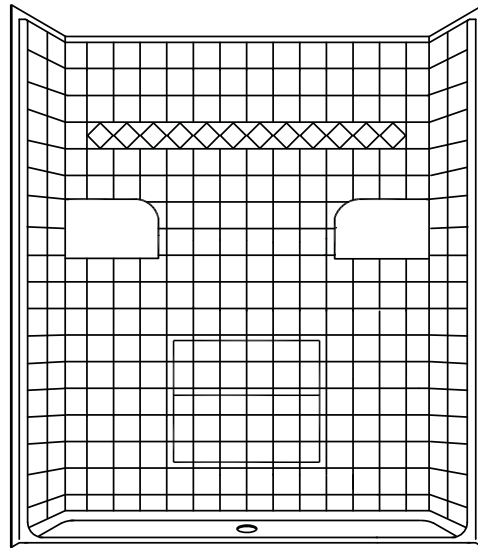
# FREE OM SHOWERS

## MODEL: APFQ6334BF75 ADA Shower

### Submittal Data

#### Product Features

- 63" x 34" x 78.75"
- 3/4" barrier free threshold
- Self-supporting and pre-leveled shower base eliminates mud setting
- Full fiberglass encapsulated wood backing on walls
- Tile pattern easy to clean gelcoat finish
- 3 molded soap ledges
- Textured slip-resistant floor
- Center drain location

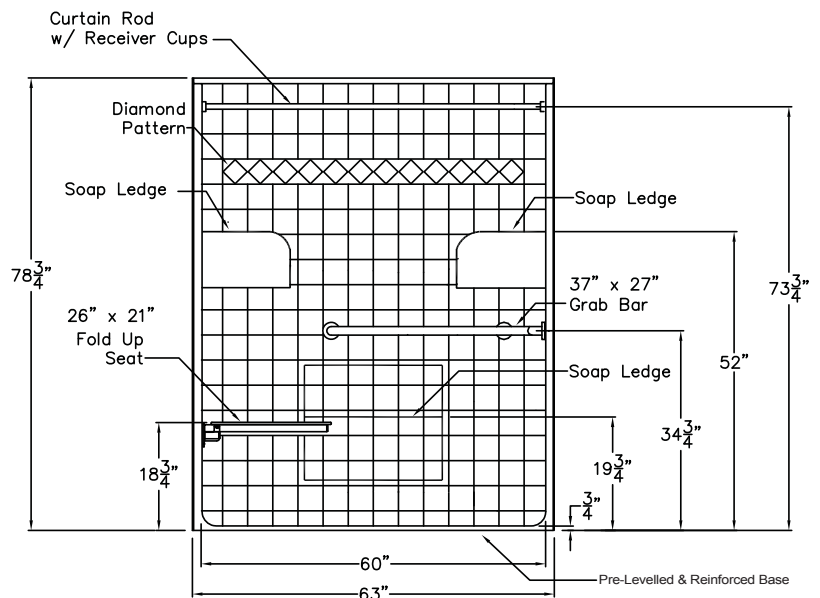


#### Code Compliance

- IPC International Plumbing Code
- UPC Uniform Plumbing Code
- ANSI Z124.2 Standards for Plastic Showers
- ADA Accessibility Guidelines for Buildings and Facilities
- ANSI A117.1 Accessible and Useable Buildings and Facilities

#### Optional Accessories

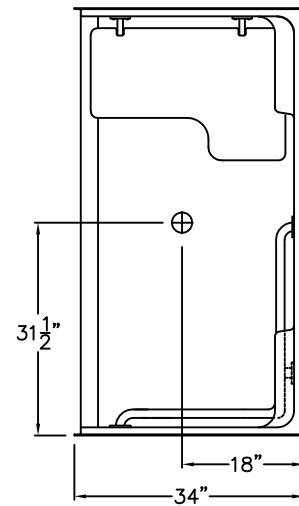
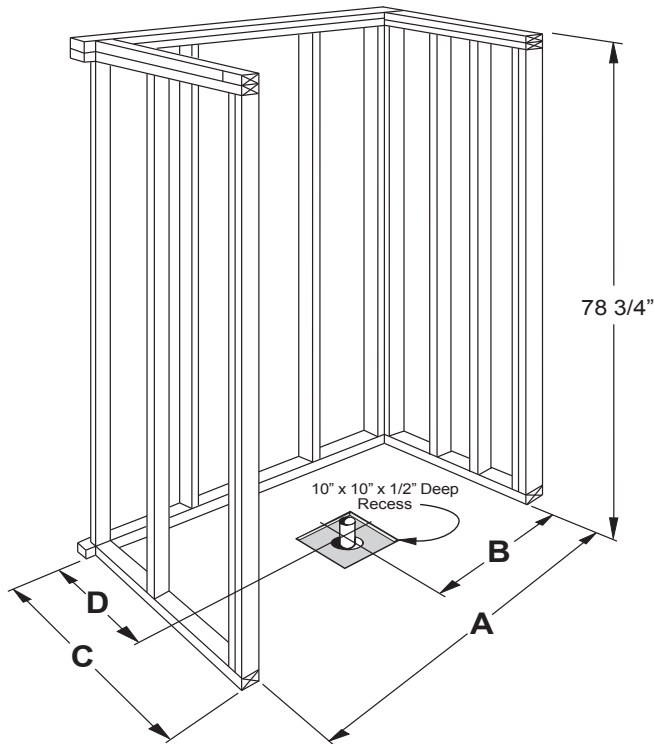
- Collapsible Water Retainer
- Folding Shower Seat
- Caulkless Drain
- Grab Bars
- Shower Rod and Curtain
- Pressure Balance Valve with hand-held Shower and Slide Bar



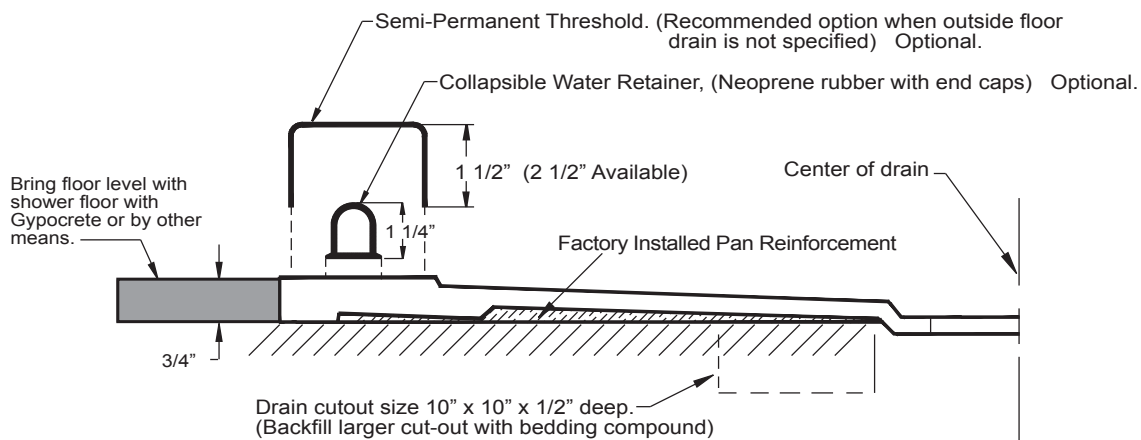
Handed by seat, left seat shown  
With optional ADA accessories

# FREEDOM SHOWERS

## MODEL: APFQ6334BF75 Freedom Accessible Shower Submittal Data - Installation



	A	B	C	D
<b>APF6334</b>	63 1/4"	31 1/2"	34"	18"



**Detail Of Threshold**