

Freedom ADA Transfer Shower 38" x 39"



Model
APFXST3838BF.625

38" x 39" x 78.375"
36" x 36" Inside Dimension

5/8" barrier free threshold with pre-leveled and reinforced shower base for easy installation

Durable, luxurious and easy to clean applied acrylic with tile pattern and diamond accent walls

Fully reinforced backing in walls offers strength and easy installation of accessories

ADA accessories available:
Grab bars, folding shower seat, collapsible water retainer, weighted shower curtain and rod, slide bar with handheld shower, pressure balance valve, caulkless drain

Shown with optional accessories Handed by valve, right valve shown
Lifetime limited warranty

Shower is ADA compliant when installed with available ADAAG accessories.

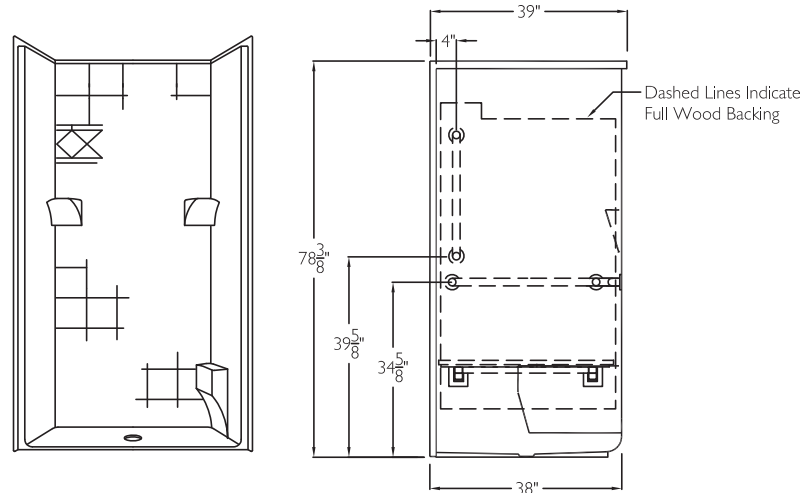
FREEDOM SHOWERS

MODEL: APFXST3838BF.625 ADA Transfer Shower

Submittal Data

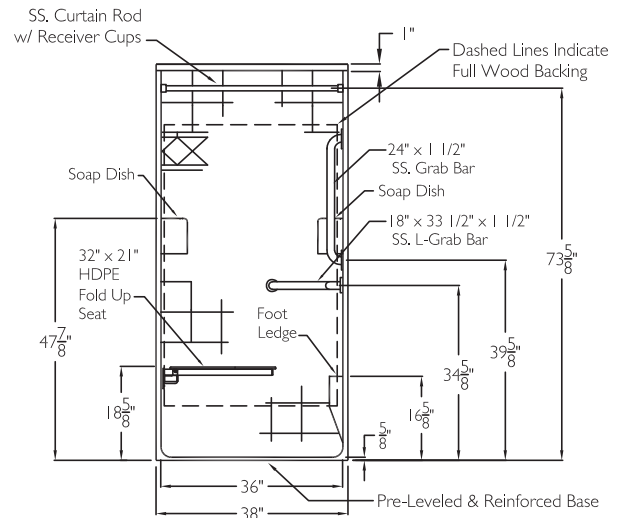
Product Features

- 38" x 39" x 78.375"
- 5/8" barrier free threshold
- Self-supporting and pre-leveled shower base eliminates mud setting
- Fully reinforced backing on walls
- Easy to clean applied acrylic
- Tile patterned walls with diamond accents
- Textured slip-resistant floor
- Center drain location
- Lifetime manufacturer limited warranty



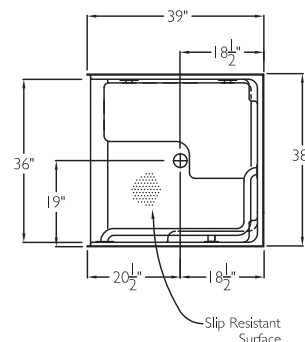
Code Compliance

- IPC International Plumbing Code
- UPC Uniform Plumbing Code
- ANSI Z124.2 Standards for Plastic Showers
- ADA Accessibility Guidelines for Buildings and Facilities
- ANSI A117.1 Accessible and Usable Buildings and Facilities
- CSA approved



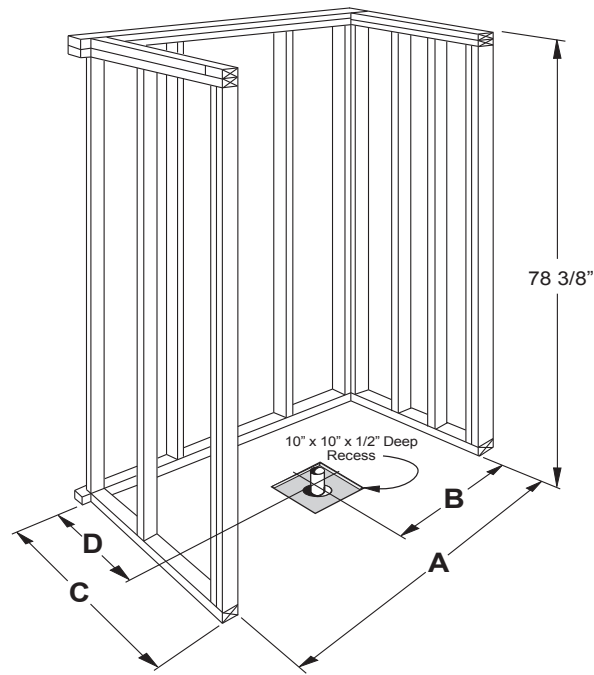
Optional Accessories

- Collapsible Water Retainer
- Folding Shower Seat
- Caulkless Drain
- Grab Bars
- Shower Rod and Curtain
- Pressure Balance Valve with hand-held Shower and Slide Bar



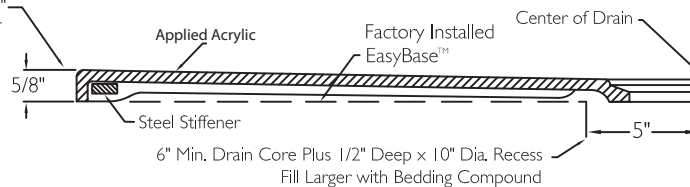
FREEDOM SHOWERS

MODEL: APFXST3838BF.625 ADA Transfer Shower Submittal Data - Installation



	A	B	C	D
APFX3838	38 1/4"	19 1/8"	39"	18 1/2"

Coordinate Finished Floor Height For Code. Finished Floor May Be No More Than 1/4" Below The Top Of Compartment Threshold.



rev 082015