

## ADA Roll in Shower APTG6037BF3P



64" x 35" x 74 1/2"  
60" x 30" inside dimension

3 piece for remodeling

1 1/4" threshold,  
Pre-leveled and reinforced  
base for easy installation

Accessories available:

- 36" ss horizontal grab bar
- 24" ss horizontal grab bar
- frameless white hdpe fold up seat
- curtain rod and drain.
- collapsible water retainer
- weighted shower curtain
- handheld shower glide bar kit with pressure balance valve.

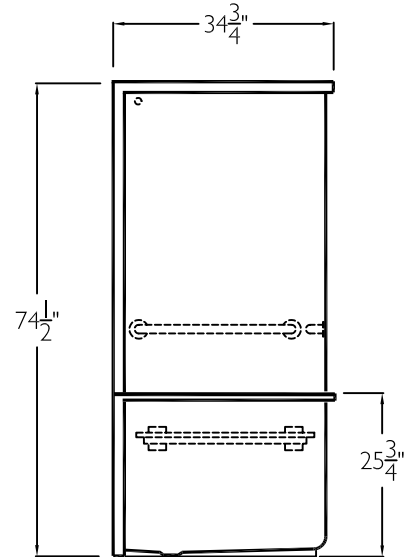
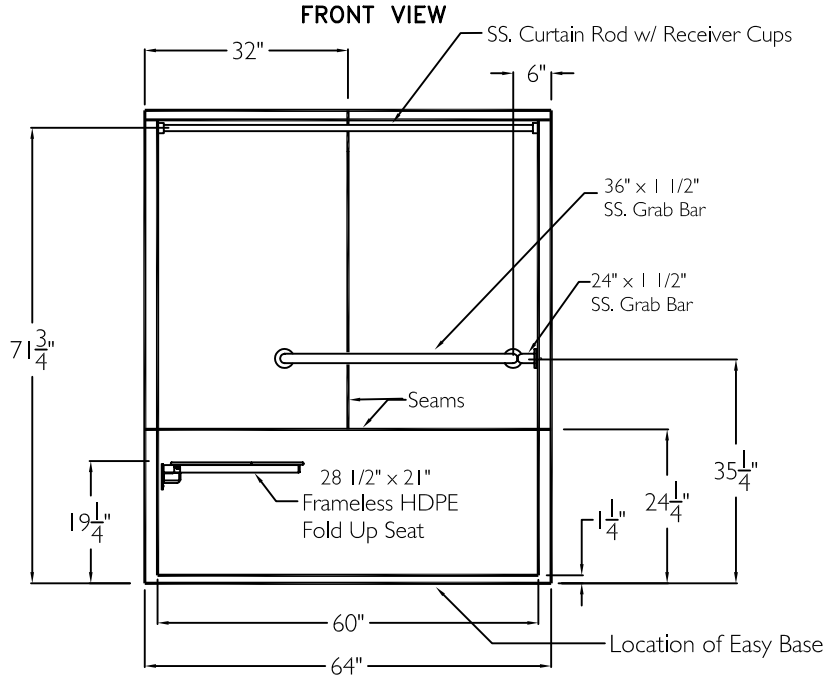
Durable, luxurious and easy to clean gelcoat fiber-glass with smooth wall finish.

ADA compliant

Shower shown with available factory installed accessories  
Comes standard in white

### 3 PIECE ADA ROLL-IN SHOWER

All accessories shown are optional  
Custom submittal forms to be completed with every order



### Roll-In Shower Stall

The three-piece shower enclosure shall be Model ARTG6037 BF 3P right or left. Finished surface shall be of a sanitary-grade polyester gelcoat, exhibiting a minimal thickness of 15 dry mils, and a finished cured Barcol hardness of 80-90 as tested with ASTM D-2583. Unit construction shall be of molded reinforced fiberglass with a 15% minimum fiberglass content. The unit shall have outside dimensions of 64" x 34 3/4" x 74". The base shall be attached to the sump of the unit in such a manner to form and integral part with an inner and outer coating of reinforced polyester resin. The unit shall meet CSA B45.5, IAPMO Z124, ANSI A117.1, ADA, FHA, HUD, NAHB, UPC, complies with CSA, and shall meet the requirements of the Southern Building Code.

The enclosure shall be equipped with the following installed accessories:

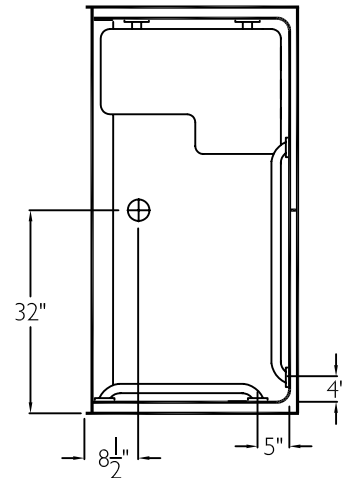
- 1) One 36" x 1 1/2" stainless steel grab bar, horizontal on the back wall,
- 2) One 24" x 1 1/2" stainless steel grab bar, horizontal on the side wall,
- 3) 28 1/2" x 21" white frameless HDPE fold up seat,
- 4) One inch diameter, 18 gauge stainless steel curtain rod with receiver cups,
- 5) 1 1/4" Threshold.

NOTE: OPTIONAL HAND HELD SHOWER REQUIRED FOR CODE COMPLIANCE. SEE FLOOR FINISHING NOTE IN THRESHOLD DETAIL

THIS UNIT FEATURES THE OUTSIDE DIMENSIONS OF 64" OF OVERALL WIDTH. THIS DOES NOT ALLOW FOR FULL ENCLOSURE OF THE BOLTS THAT ARE USED TO SECURE THE BARS AND SEAT IN PLACE. THE BOLT AND NUT COMBINATION SHOULD NOT PROTRUDE ANY MORE THAN 3/4" ON EITHER SIDE OF THE SHOWER WALLS. THIS MAY REQUIRE THE NEED TO NOTCH STUDS TO ALLOW BOLT CLEARANCE FOR INSTALLATION.

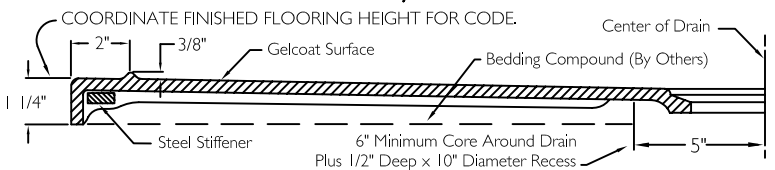
FOR A DRY WALL ENCLOSED FIRE WALL INSTALLATION, ADJUSTMENT OF THE WALLBOARD MAY BE NECESSARY TO PROVIDE CLEARANCE OF THE BOLTS WHILE MAINTAINING THE INTEGRITY OF THE DRYWALL ENCLOSED FIRE WALL ENCLOSURE.

### TOP VIEW



DUE TO THE NATURE OF THE MATERIALS  
DIMENSIONS MAY VARY ± 1/2"

### Detail of 1 1/4" Threshold



Model No.:

Approved by:

Rep.:

Date Approved:

Wholesaler:

Drawing#: G6037 BF 3P 1.25 Package One  
ADA with Curtain Rod

Date: 6-21-07

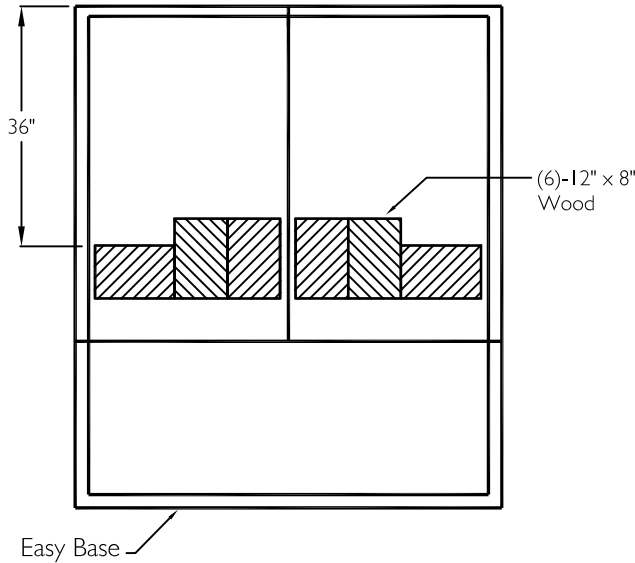
Revised: 12-11-12

Quote No.:

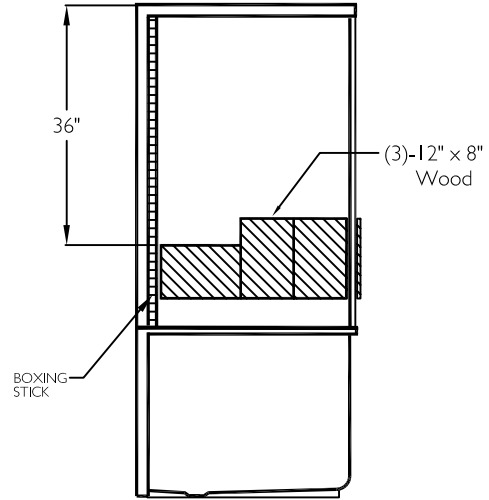
# Board Placement

## SUBMITTAL DATA

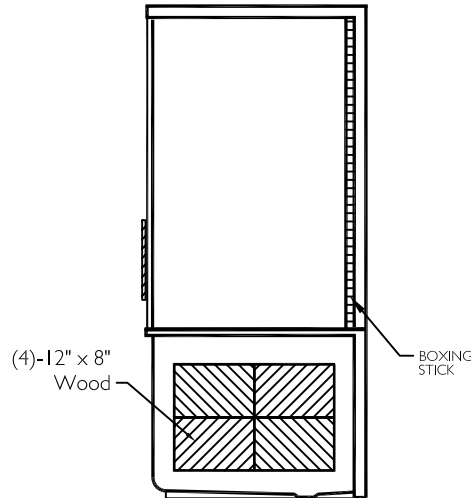
FRONT VIEW



SIDE VIEW VALVE SIDE



SIDE VIEW SEAT SIDE



DUE TO THE NATURE OF THE MATERIALS  
DIMENSIONS MAY VARY  $\pm 1/2$ "

Job Name:			
Model No.:		Drawing#: G6037 BF 3P 1.25 Package One ADA with Curtain Rod-BP	
Approved by:	Date Approved:	Date: 8-13-96	Revised: 12-11-12
Rep.:	Wholesaler:	Quote No.:	