

ADA Transfer Shower APTXST3938BF625



Shower shown with available factory installed accessories
Comes standard in white

40" x 38" x 82 1/8"
36" x 36" inside dimension

1 piece for new construction

5/8" threshold with pre-leveled reinforced base for easy installation

Model includes:

- 2 molded soap ledges
- molded footledge

Accessories available:

- inside corner bar
- 24" vertical grab bar
- frameless white hdpe fold up seat
- curtain rod and drain.
- collapsible water retainer
- weighted shower curtain
- handheld shower glide bar kit with pressure balanced valve.

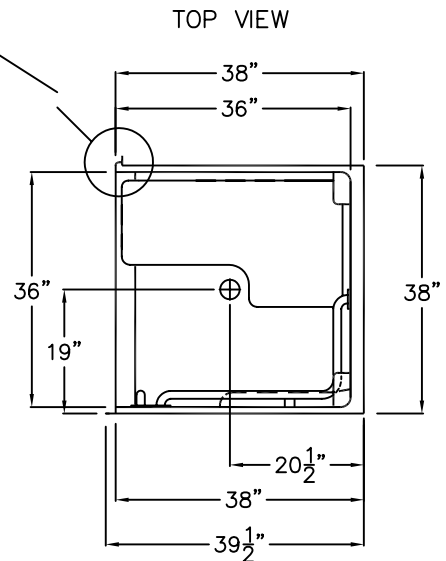
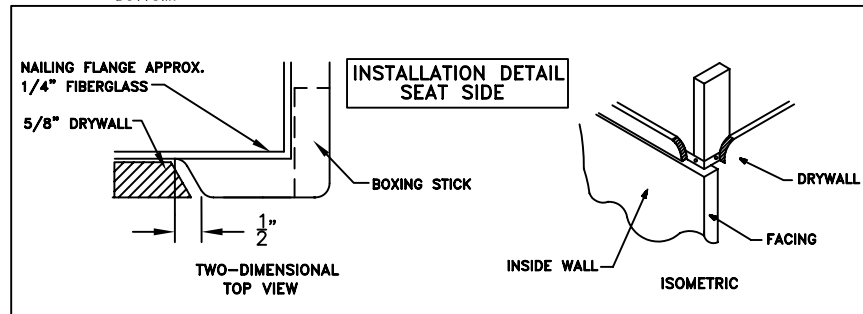
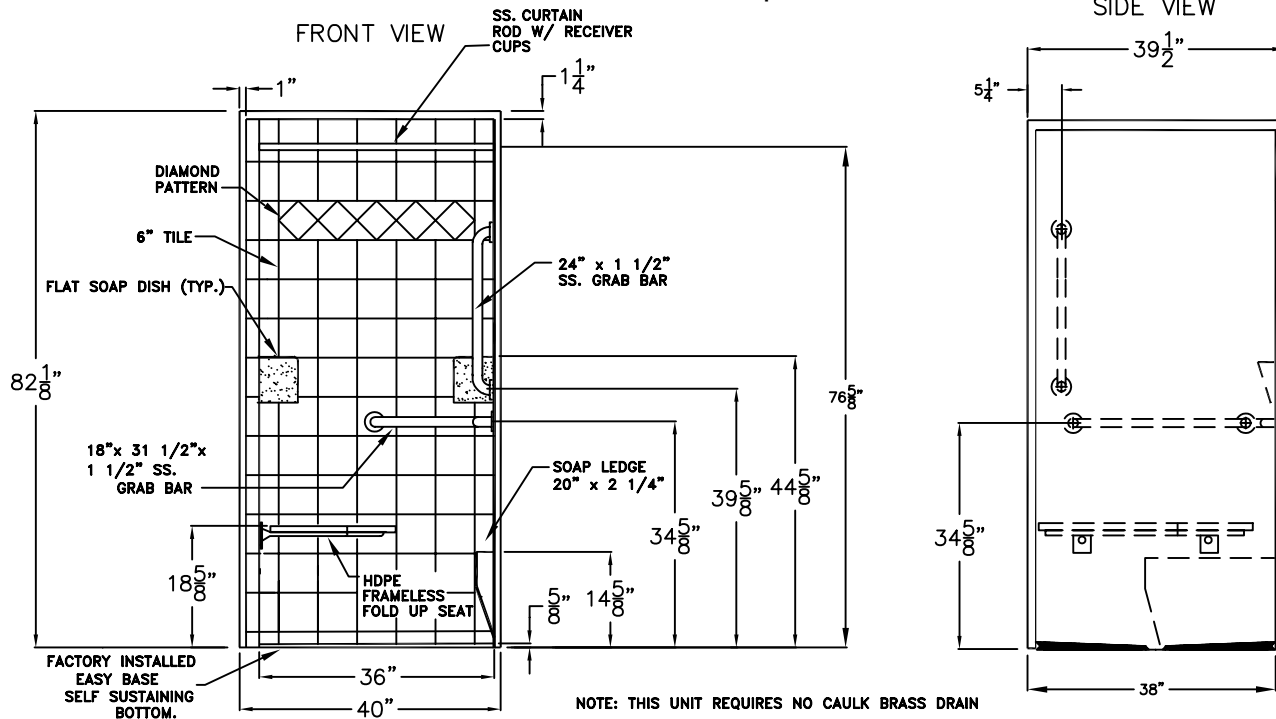
Durable, luxurious and easy to clean gelcoat fiber-glass with tile look finish.

ADA compliant

This shower is handed by the valve (or wet) wall. Opposite the valve wall, the shower has a receiver flange that allows the drywall to be flush with the flange. It goes next to the seat so the wheelchair can get close.

ADA Transfer Shower (1 piece)

Submittal Information; All accessories shown are optional
Custom submittal forms completed with each order



Transfer Shower Stall

The shower enclosure shall be Accessibility Professionals # APTXST3938BF625 center. Finished surface shall be of a sanitary-grade polyester Gelcoat exhibiting a minimal thickness of 15 dry mils and a finished cured Barcol hardness of 80-90 as tested with ASTM D-2583. Unit construction shall be of molded reinforced fiberglass with a 15% minimum fiberglass content. The unit shall have outside dimensions of 40" x 39 1/2" x 82 1/8". The base shall be attached to the sump of the unit in such a manner to form an integral part with an inner and outer coating of reinforced polyester resin. The unit shall meet ANSI 117.1, ANSI 124.2, ADA, HUD, BOCA, NAHB, UPC, and shall meet the requirements of Southern Building Code. Framing Coordination: Framing pocket 38" x 39 1/2". Add 1/4" to width for required installation wiggle room. Refer to Page 2 or installation instructions for further details.

The enclosure may be equipped with the following installed accessories:

- 1) 18" x 31 1/2" x 1 1/2" dia. stainless steel L-bar,
- 2) one 24" x 1 1/2" stainless steel vertical grab bar on the valve wall, both with 1 1/2" statute clearance, and secured from the rear with a 3" x 3" x 11 gauge metal mounting plate,
- 3) 1" dia. 20 gauge stainless steel curtain rod with receiver cups,
- 4) 5/8" threshold,
- 5) frameless hdpe fold up seat,
- 6) molded soap dishes,
- 7) drywall receiver flange on seat side,
- 8) lower molded soap ledge on valve wall,
- 9) tile finish,
- 10) Factory installed Easy Base self sustaining bottom.

DO NOT ROUGH-IN ON THE VALVE SIDE UNTIL UNIT IS RECEIVED AND IN PLACE.

DUE TO THE NATURE OF THE MATERIALS DIMENSIONS MAY VARY ± 1/2"

Job Name:

Model No.: APTXST3938BF625

Drawing#:

SB VB FHDP CR EB

Approved by:

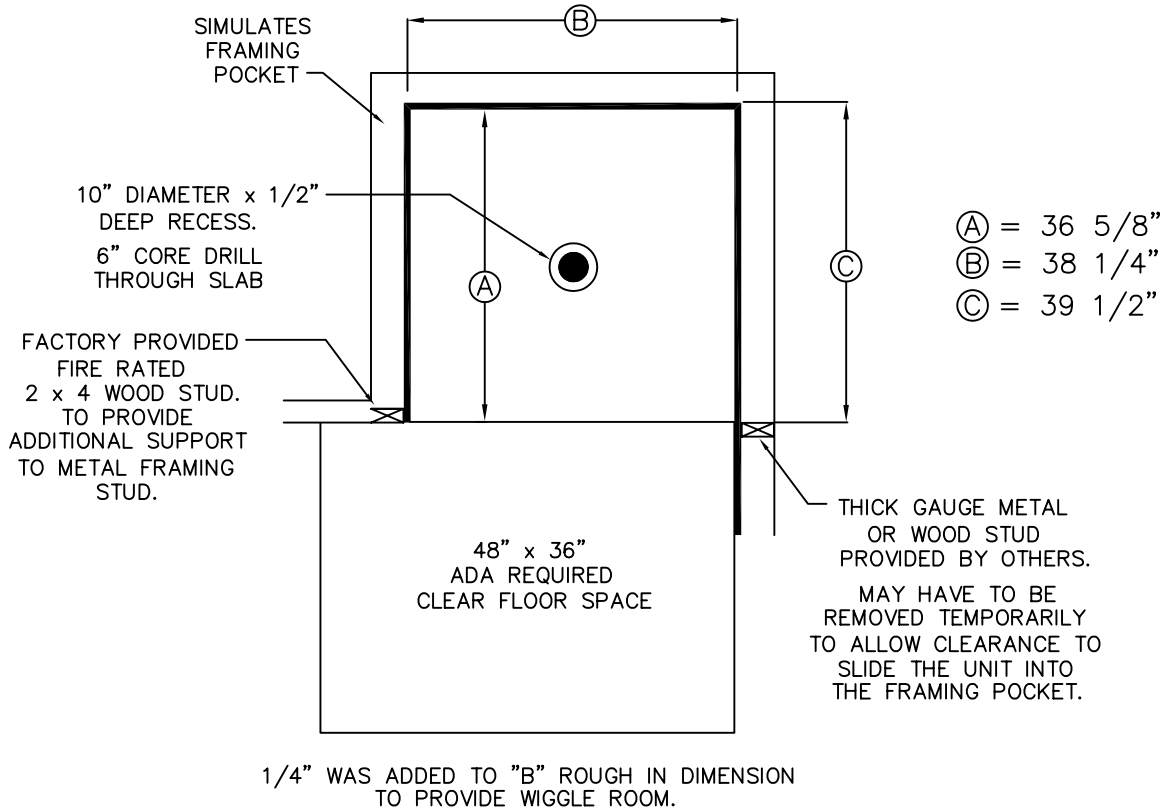
Date Approved:

Date: 9-14-99

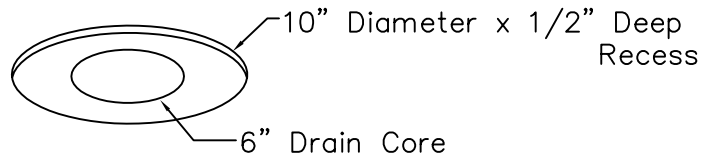
Page 1 of 3

Revised: 8-4-08

ADA Transfer Shower (1 piece)



"No Recess Necessary" units are designed to be installed directly on the sub-floor surface. A 10" diameter x 1/2" deep recess around the 6 inch drain core is required to accept the factory drain slope of the unit. A non-shrinking bedding slurry is required for standard installation.



For units configured with the factory installed EASY BASE self sustaining bottom may only need to be shimmed. The floor of the shower is adhered to the floor with adhesive (provided by others).

Refer to installation instructions for further details.

DUE TO THE NATURE OF THE MATERIALS DIMENSIONS MAY VARY ± 1/2"

Job Name:

Model No.: APTXST3938BF625

Drawing#:

UNITS WITH RECEIVER FLANGE

Approved by:

Date Approved:

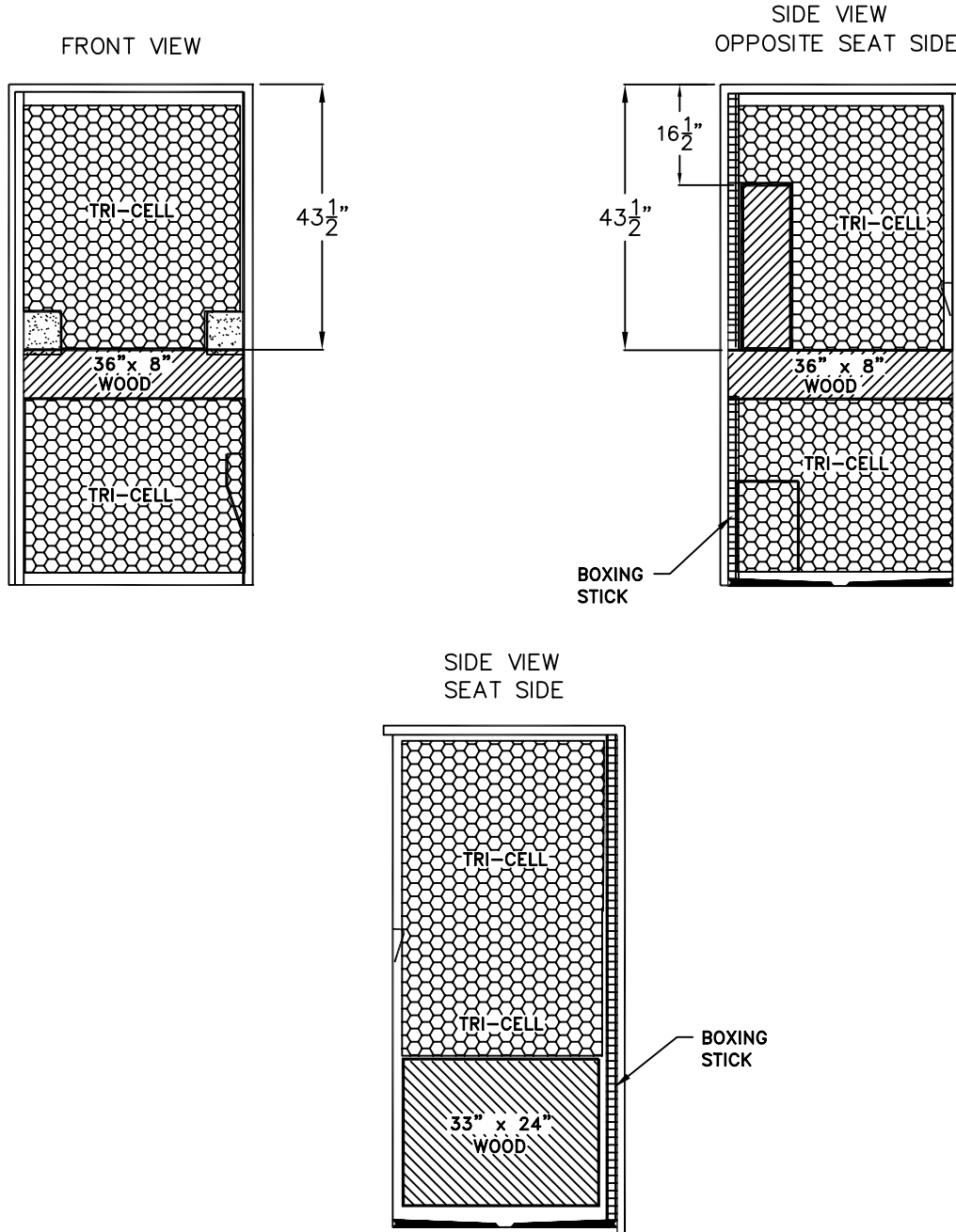
Date: 9-14-99

Page 2 of 2

Revised: 8-4-08

Board Placement

SUBMITTAL DATA



Job Name:

Model No.: APTXST3938BF625

Drawing#:

SB VB FS CR-BP

Approved by:

Date Approved:

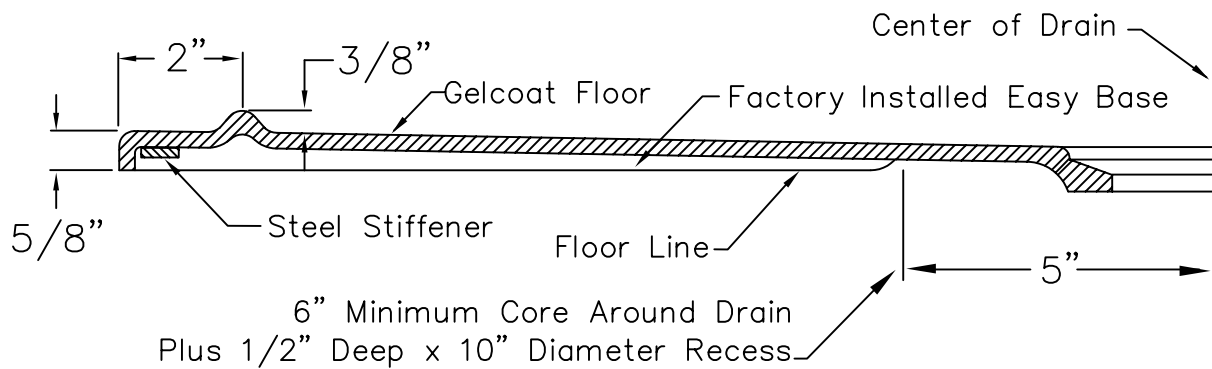
Date: 2-21-00

Page: 3 of 3

Revised: 8-4-08

SUBMITTAL DATA © 2003

Detail of 5/8" Threshold



DUE TO THE NATURE OF THE MATERIALS
 DIMENSIONS MAY VARY ± 1/2"

Job Name:	ACCESSIBILITY PROFESSIONALS		
Model No.: XST 3938 BF .625	Drawing#: XST 3938 BF .625 With Easy Base		
Approved by:	Date Approved:	Date: 9-14-99	Revised: 5-4-10