

## Freedom ADA Transfer Shower



Shower stall comes standard in white  
30 Year Manufacturer's Limited Warranty  
Shown with optional ADA compliant accessories  
Available with Optional Return Receiver Flange (not shown)

Model

APF3838BF4P.75

38.625" x 38.438" x 79"

Interior Dimension: 36" x 36"

4-piece for remodeling

0.75" Barrier free threshold with pre-leveled and reinforced shower base for easy installation

Durable, luxurious and easy to clean gelcoat fiberglass with architectural subway tile pattern

Full wood backing in walls and metal bracing offers strength and easy installation of accessories

Accessories available:  
Grab bars, folding shower seat, collapsible water retainer, weighted shower curtain and rod, slide bar with handheld shower, pressure balance valve, caulkless drain, surface mount stainless soap dish



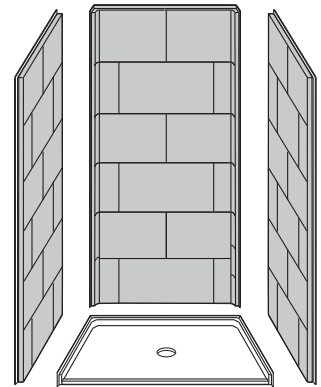
# MODEL: APF3838BF4P.75

## Freedom ADA Transfer Shower

### Submittal Data

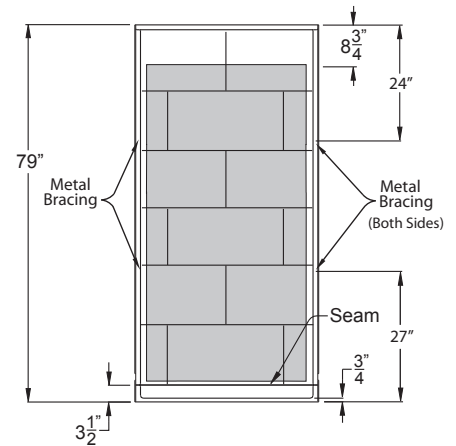
#### Product Features

- 38.625" x 38.438" x 79"
- Interior Dimension: 36" x 36"
- 4-piece for remodeling
- 0.75" Barrier free threshold with pre-leveled and reinforced shower base for easy installation
- Full fiberglass encapsulated wood backing on walls
- Metal bracing
- Architectural subway tile pattern easy to clean gelcoat finish
- Textured slip-resistant floor
- Center drain location



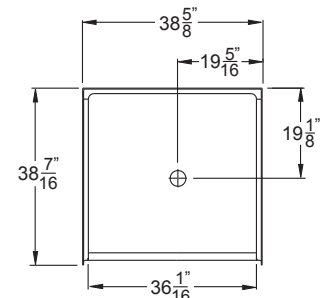
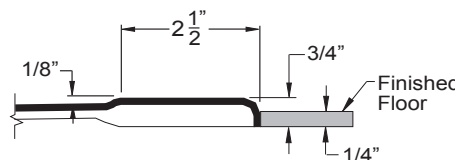
#### Code Compliance

- ADA, MAS, TAS
- IPC International Plumbing Code
- UPC Uniform Plumbing Code
- ANSI Z124.2 Standards for Plastic Showers
- NAHB
- HUD
- FHA
- CSA



#### Optional Accessories (Installed at job site)

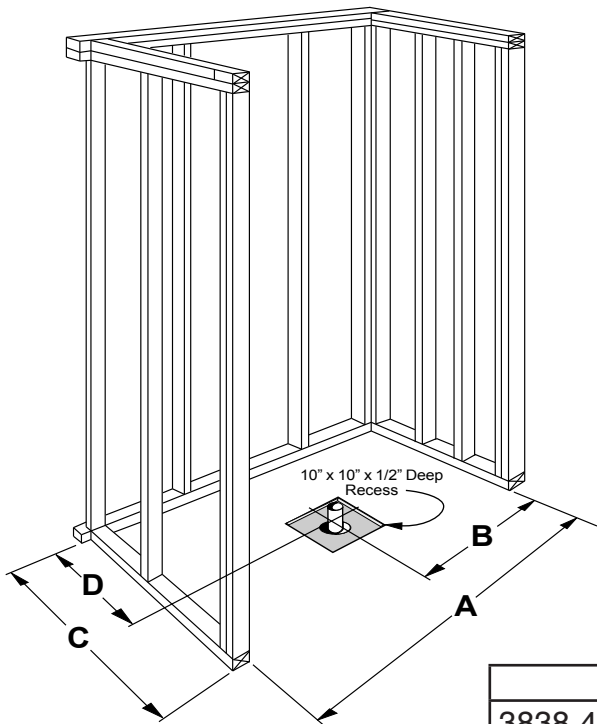
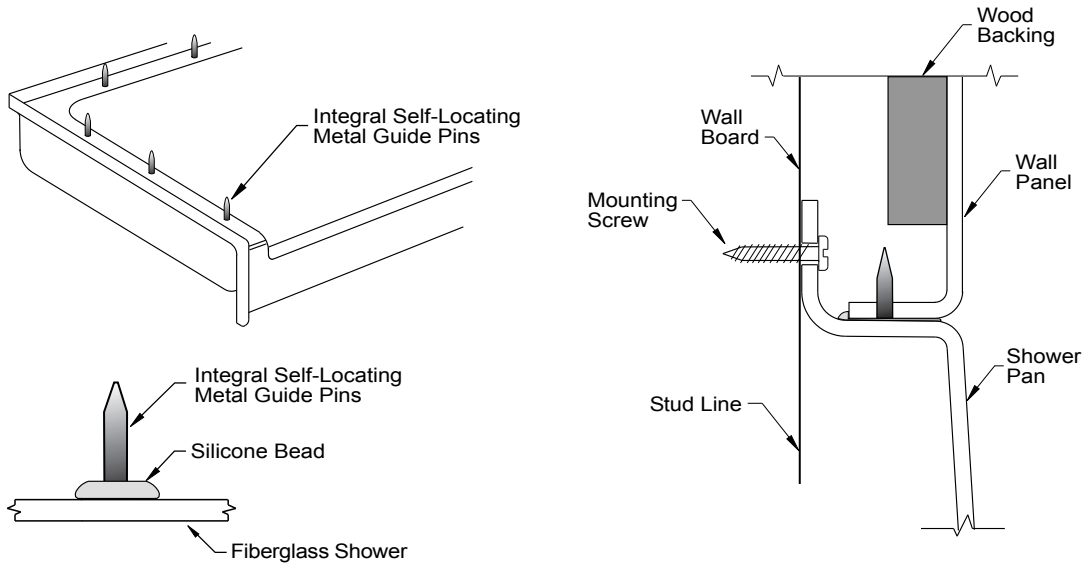
- Collapsible Water Retainer
- Folding Shower Seat
- Caulkless Drain
- Grab Bars
- Shower Rod and Curtain
- Pressure Balance Valve with hand-held Shower and Slide Bar
- Surface mount stainless soap dish



THRESHOLD VIEW

# FREEDOM SHOWERS

## MODEL: APF38383BF4P.75 Freedom ADA Transfer Shower Submittal Data - Installation



	A	B	C	D
3838 4P	38 7/8"	19 7/16"	38 7/16"	19 1/8"