

Freedom Transfer Shower



Shower stall comes standard in white
Lifetime Manufacturer's Limited Warranty
Shown with optional ADA compliant accessories

Model APF3838BF4P.5
38.625" x 38.438" x 79"

Interior Dimension: 36" x 36"

4-piece for remodeling

0.5" Barrier free threshold
with pre-leveled and
reinforced shower base for
easy installation

Durable, luxurious and
easy to clean applied acrylic
with architectural subway tile
pattern

Fully reinforced walls
and metal bracing offers
strength and easy installation
of accessories

Accessories available:
Grab bars, folding shower
seat, collapsible water
retainer, weighted shower
curtain and rod, slide bar
with handheld shower,
pressure balance valve,
caulkless drain, surface
mount stainless soap dish



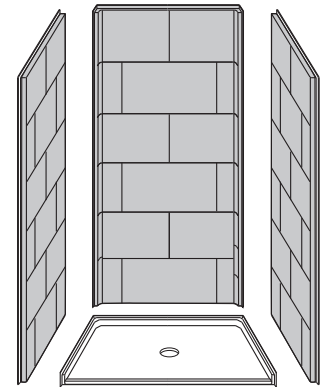
MODEL: APF3838BF4P.5

Freedom Transfer Shower

Submittal Data

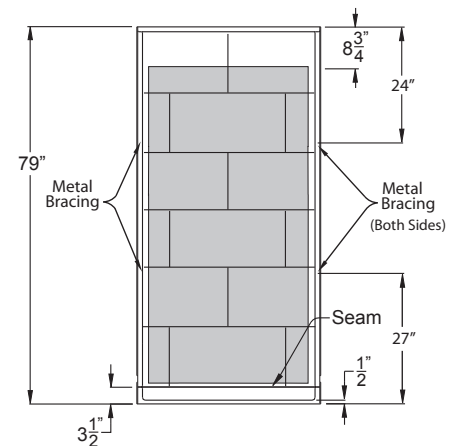
Product Features

- 38.625" x 38.438" x 79"
- Interior Dimension: 36" x 36"
- 4-piece for remodeling
- 0.5" Barrier free threshold with pre-leveled and reinforced shower base for easy installation
- Full fiberglass encapsulated wood backing on walls
- Metal bracing
- Architectural subway tile pattern easy to clean applied acrylic
- Textured slip-resistant floor
- Center drain location



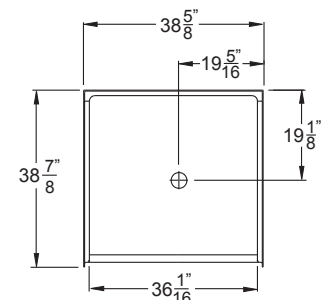
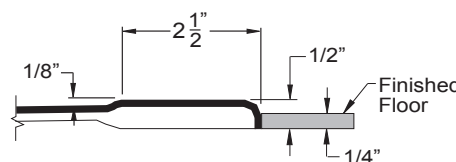
Code Compliance

- ADA, MAS, TAS
- IPC International Plumbing Code
- UPC Uniform Plumbing Code
- ANSI Z124.2 Standards for Plastic Showers
- NAHB
- HUD
- FHA
- CSA



Optional Accessories (Installed at job site)

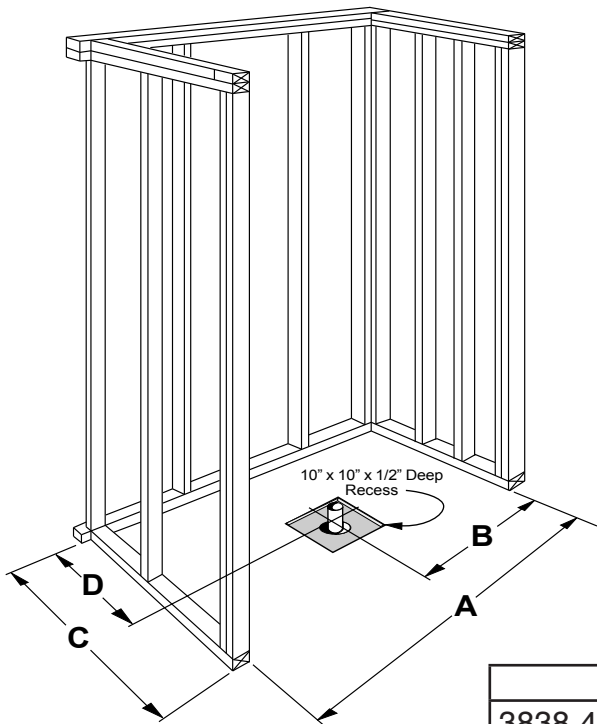
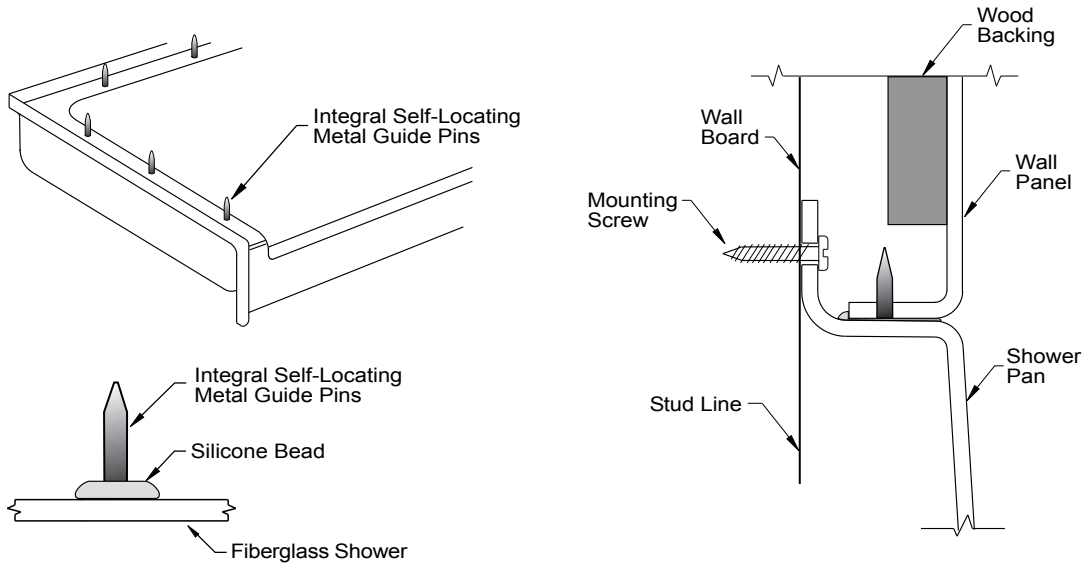
- Collapsible Water Retainer
- Folding Shower Seat
- Caulkless Drain
- Grab Bars
- Shower Rod and Curtain
- Pressure Balance Valve with hand-held Shower and Slide Bar
- Surface mount stainless soap dish



THRESHOLD VIEW

FREEDOM SHOWERS

MODEL: APF38383BF4P.75 Freedom ADA Transfer Shower Submittal Data - Installation



	A	B	C	D
3838 4P	38 7/8"	19 7/16"	38 7/8"	19 1/8"