

Freedom ADA Transfer Shower 40" x 39"



Model
APFQ3637BF3P-RRF

40" x 39" x 77 5/8"
36" x 36" Inside Dimension

5/8" barrier free threshold
with pre-leveled and
reinforced shower base
for easy installation

Three piece for remodeling

Durable, luxurious and easy to
clean applied acrylic

Fully reinforced walls offer
strength and easy installation
of accessories

Dual recessed receiver flanges
for 48" clear floor space

ADA accessories available:
Grab bars, folding shower
seat, collapsible water
retainer, weighted shower
curtain and rod, slide bar with
handheld shower, pressure
balance valve, caulkless drain

Shown with optional accessories Handed by valve, right valve shown
Lifetime limited warranty

Shower is ADA compliant when installed with
available ADAAG accessories.

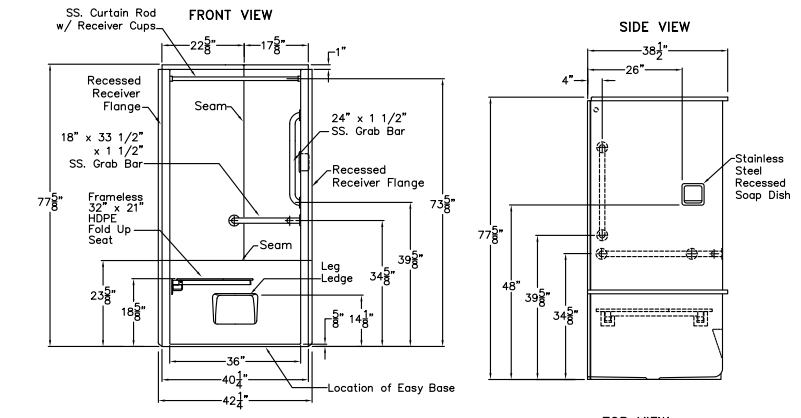
FREEDOM SHOWERS

MODEL: APFQ3637BF3P-RRF ADA Transfer Shower

Submittal Data

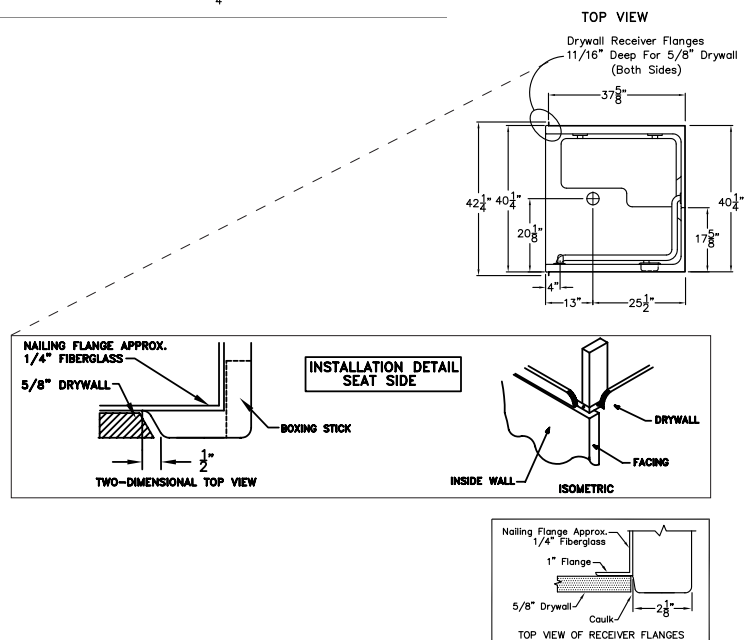
Product Features

- 40" x 39" x 77 5/8"
- 5/8" barrier free threshold
- Self-supporting and pre-leveled shower base eliminates mud setting
- Fully reinforced walls
- Easy to clean applied acrylic
- Textured slip-resistant floor
- Center drain location
- Lifetime manufacturer limited warranty



Code Compliance

- IPC International Plumbing Code
- UPC Uniform Plumbing Code
- ANSI Z124.2 Standards for Plastic Showers
- ADA Accessibility Guidelines for Buildings and Facilities
- ANSI A117.1 Accessible and Useable Buildings and Facilities
- CSA approved
- MAS
- TAS
- Dual recessed receiver flanges



Optional Accessories

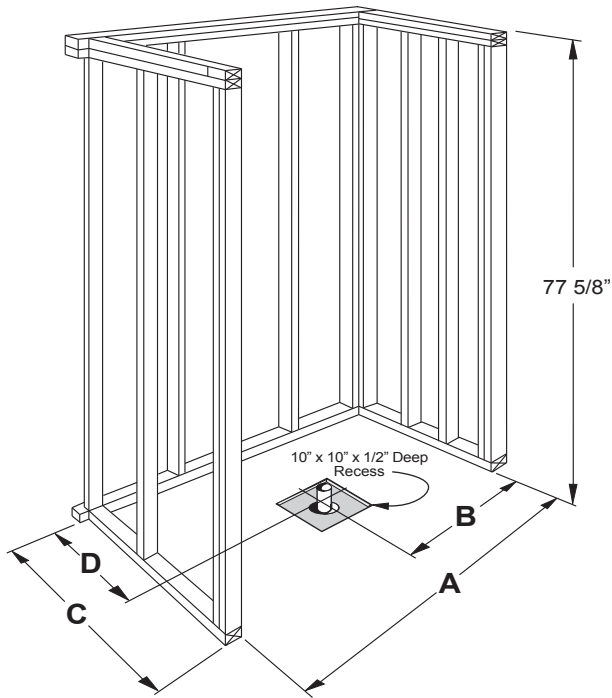
- Collapsible Water Retainer
- Folding Shower Seat
- Caulkless Drain
- Grab Bars
- Shower Rod and Curtain
- Pressure Balance Valve with hand-held Shower and Slide Bar



MODEL: APFQ3637BF3P-RRF

Freedom ADA Transfer Shower

Submittal Data - Installation



	A	B	C	D
APF3637	40"	20"	39"	25"

