



Acrylic ADA Transfer Shower APTS4136BF875



41 1/4" x 36 1/4" x 82 7/8"
36" x 36" inside dimension

1 piece unit for new construction

7/8" threshold with pre-leveled
reinforced base for easy installation

Accessories available:

- inside corner grab bar
- white hdpe fold up seat
- curtain rod and drain
- collapsible water retainer
- weighted shower curtain
- handheld shower glidebar kit with pressure balance valve.

Durable, luxurious and easy to
clean acrylic with diamond tile
finish.

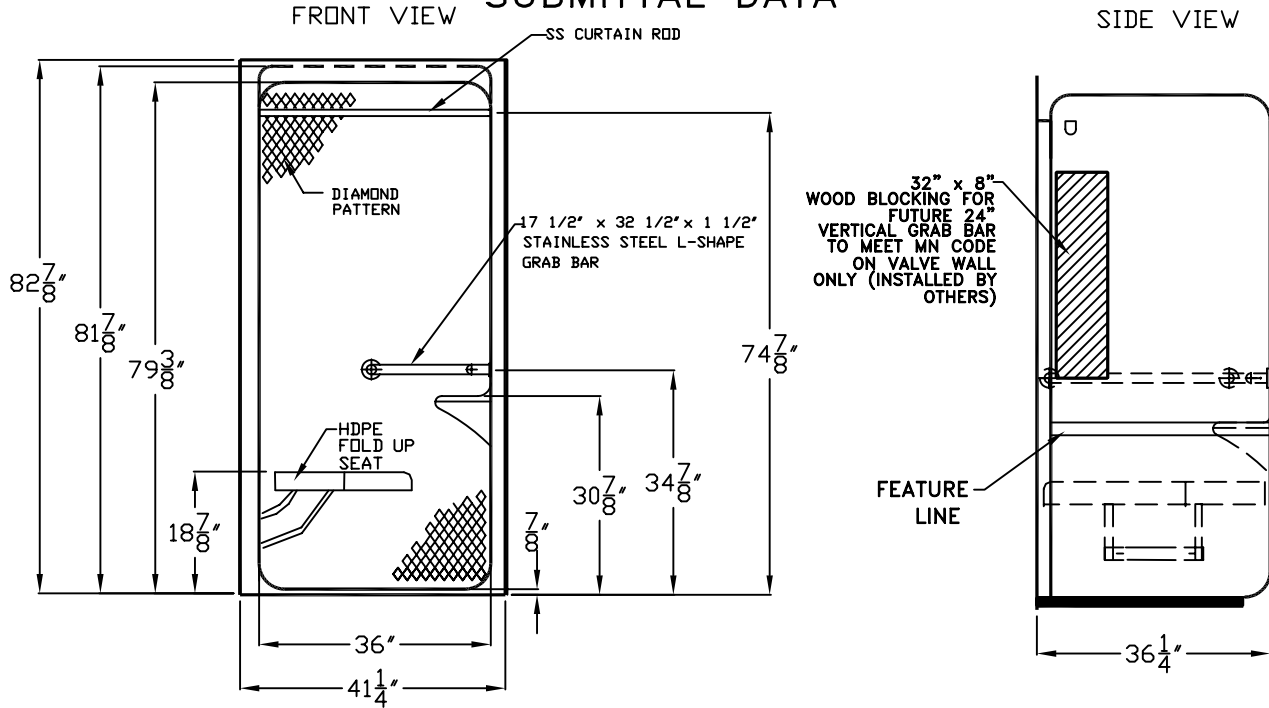
ADA compliant

Note: this model not TAS compliant

Shower shown with factory installed accessories
Comes standard in white

Acrylic ADA Transfer Shower (36" x 36" inside dimension)

SUBMITTAL DATA



Transfer Shower Stall

This shower enclosure shall be Accessibility Professionals Model APTS4136BF875. The unit shall be molded from a single sheet of acrylic so as not to have any seams or joints. It shall meet ANSI A117.1 and ANSI 124.2, shall have the backside fire rating of "A" and a flame spread of less than 25, shall be designed to meet ADA, FHA, HUD, BOCA, NAHB, UPC and shall meet the requirements of most state and national standards on design for the disabled including Southern Building Code. The unit shall have inside dimensions of 36" x 36" x 80 1/2" and the outside dimensions of 41 1/4" x 36 1/4" x 82 7/8".

The enclosure may be equipped with the following factory installed accessories:
 1) one 17 1/2" x 32 1/2" x 1 1/2" diameter stainless steel, L-shape grab bar with 1 1/2" clearance statute, mounted with stainless steel bolts secured from the rear with 3" x 3", 11 gauge metal backing plates,
 2) 1" diameter 20 gauge stainless steel curtain rod,
 3) self caulking brass drain with chrome strainer, 4) HDPE plastic fold up seat.
 5) 7/8" threshold for easy base, 6) wood for future grab bar on valve wall.

Warranty: 3 years when installed in accordance with manufacturers installation instructions.

Code Reference Listing: This model shall meet or exceed the following code listings when fully accessorized and installed according to each codes requirements: ANSI 124.2, HUD, BOCA, NAHB, UPC, the Southern Building Code, ADA, & ANSI 117.1.

Installation Requirements: A 10' core drill or molded voids in slab/sub-floor surface a 1/2" deep are required to accept a natural drain slope of unit. A non-shrinking thin set bedding slurry is required for standard installation. Caulk all seams with silicone. See Installation Instruction packet for further details.

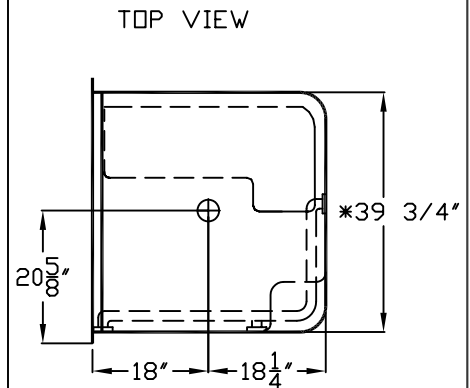
Acceptance: Sending a Quick Ship purchase order form with this designated model # will be considered automatic acceptance of this unit drawing configuration.

Hand: Determined by drain location.

Required: This option substantially reduces the degree of difficulty & labor usually to mudset a barrier free shower. Reduce the risk of inconsistent installations resulting in poor damage or soft floors. Downsize from full base mudset to a 10' area encompassing the drain. Alt. Installation Instructions Required see packet for details.

NOTE: EACH SIDE WALL CONTAINS A FEATURE LINE FROM 30" TO 32" HORIZONTAL. THIS FEATURE LINE OFFSETS 3/8" FROM THE SIDE WALL IN PLUMBING PLANS. ENSURE THIS WILL NOT INTERFERE WITH VALVE AND PLUMBING PLACEMENT.

NOTE: DOES NOT MEET TAS, SEE QSI3038BF.5



ROUGH IN DIMENSIONS FOR UNITS WITHOUT SEAT FEATURED: 38 1/4" x 37 1/4" x 82 3/4"
 ROUGH IN DIMENSIONS FOR UNITS FEATURING A MOLDED SEAT: 38" x 37 1/4" x 82 3/4"
 ROUGH IN DIMENSIONS FOR UNITS FEATURING A FOLD UP SEAT: 39 3/4" x 37 1/4" x 82 3/4"

* NOTE: THIS DIMENSION IS NOT TO SCALE. THIS DIMENSION INCLUDES NUTS/BOLTS, WOOD AND HARDWARE REQUIRED FOR ASSEMBLY. OFFSET THE 39 3/4", 1/2" TOWARDS THE FOLD UP SEAT SIDE TO ALLOW FOR THE BOARD.

DUE TO THE NATURE OF THE MATERIALS INVOLVED, UNIT DIMENSIONS MAY VARY ± 1/2 INCH.

Job Name:			
Model No.: APTS4136BF MODIFIED WITH AN HDPE PLASTIC FOLD UP SEAT & 7/8" THRESHOLD		Drawing#: APTS4136BF	
Approved by:	Date Approved:	Date: 7-17-96	Revised: 4-24-06
Rep.:	Wholesaler:	Quote No.:	